

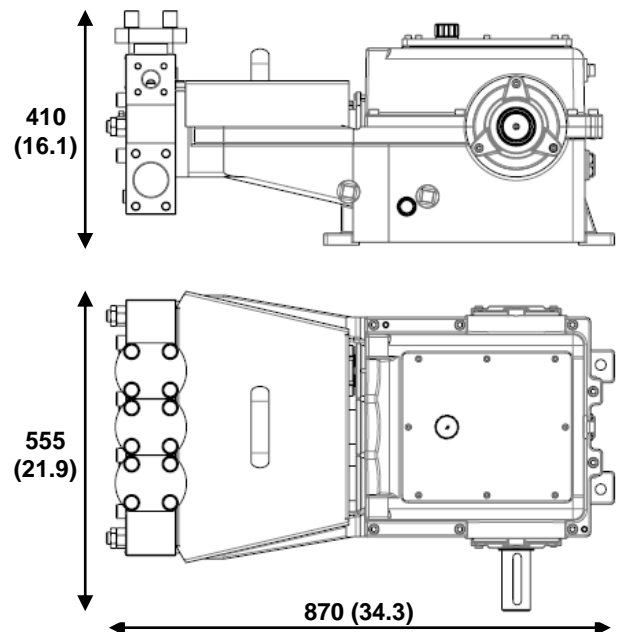
### CHARACTERISTICS

|                     | STANDARD                   | AVAILABLE OPTIONS          |
|---------------------|----------------------------|----------------------------|
| Technology          | API-674 Reciprocating Pump |                            |
| No. of plungers     | 3                          |                            |
| Plunger diameter mm | 25/28/31/35/40/45/50/55    | High pressure: 16/18/20/22 |
| Plunger stroke mm   | 60                         |                            |
| Valve type          | Disc type                  |                            |
| Lubrication type    | Splash lubrication         | Positive pressure          |
| Leakage rate        | < 2.0 L/h                  | Seal oil system            |
| Weight kg (lbs)     | 290 (639)                  |                            |

### FLOW RATE

| Plunger diameter mm | Flow rate @100 rpm L/min (GPM) | MAWP Bar (psi) |
|---------------------|--------------------------------|----------------|
| 55                  | 39.8 (10.5)                    | 85 (1233)      |
| 50                  | 32.9 (8.7)                     | 100 (1450)     |
| 45                  | 26.3 (6.9)                     | 125 (1813)     |
| 40                  | 20.6 (5.4)                     | 155 (2248)     |
| 35                  | 16.1 (4.3)                     | 205 (2973)     |
| 31                  | 12.4 (3.3)                     | 260 (3771)     |
| 28                  | 9.9 (2.6)                      | 320 (4641)     |
| 25                  | 7.5 (2.0)                      | 380 (5511)     |

### DIMENSIONS mm (in.)



### OPERATING LIMITS

|   | STANDARD MATERIALS                          |
|---|---|
| Minimum temperature °C (°F)             | 20 (68)                                     |
| Maximum temperature °C (°F)             | 200 (392)                                   |
| Maximum viscosity cSt                   | 100   |
| Maximum differential pressure bar (psi) | In high pressure configuration: 900 (13053) |
| Design speed rating rpm                 | 575   |
| API 674 speed rating rpm                | 432   |
| Maximum absorbed power kW (HP)          | 36.7 (48.3)                                 |
| Max. allowable plunger load kg (lbs)    | 1952 (4303)                                 |
| Maximum solid particle size µm (in.)    | 100 (0.004)                                 |

### MATERIALS OF CONSTRUCTION

| Part No | PART NAME          | STANDARD MATERIALS     | AVAILABLE OPTIONS                 |
|---------|--------------------|------------------------|-----------------------------------|
| 25210   | Crankshaft         | AISI 1045              |                                   |
| 25310   | Power end casing   | Cast iron              |                                   |
| 25401   | Cylinder           | C55 with Kanigen®      | AISI 316L / Duplex / Super-duplex |
| 25450   | Valves             | AISI 630               | Duplex / Super-duplex             |
| 25500   | Stuffing boxes     | AISI 420 with Kanigen® | AISI 316L / Duplex / Super-duplex |
| 25509   | Plungers           | AISI 630               | Duplex / Super-duplex             |
|         | Plungers treatment | Chromium carbide       | Tungsten carbide / Colmonoy®      |
|         | Seal Rings         | PA 6.6                 | PEEK                              |
|         | Lubricant          | Mineral oil            |                                   |

